

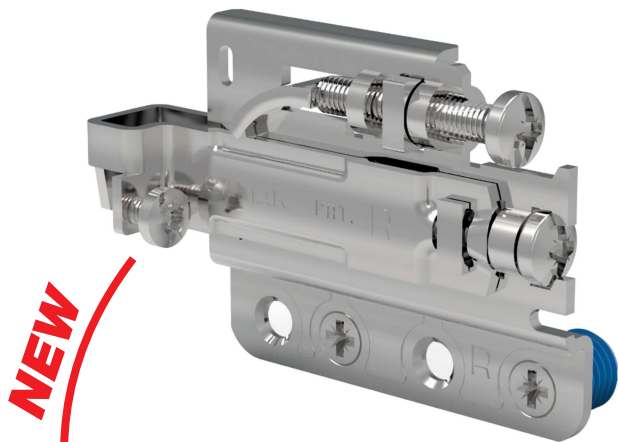
701 15 ZV IN



DX
SX



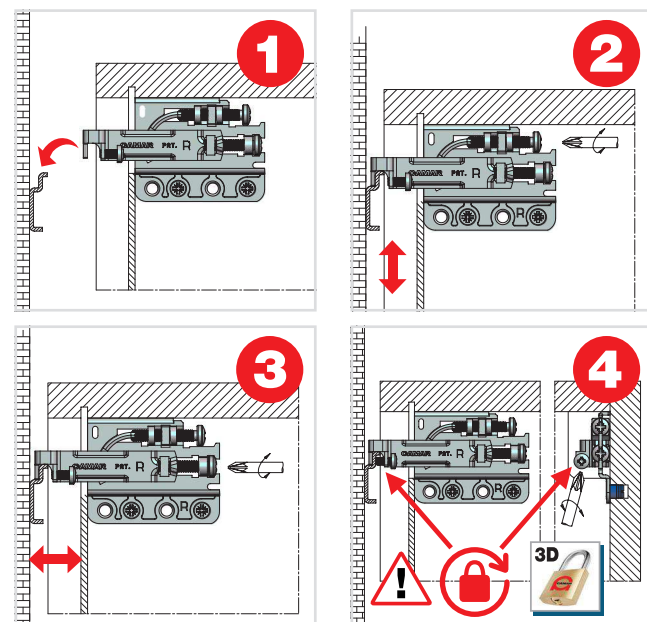
3



NEW



875 AS



After assembly, verify that the anti-drop system has been activated.



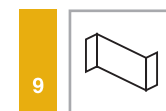
Verificare dopo il montaggio l'avvenuta attivazione del sistema antigancio.



807 00 AL MA 00 528



875 AS Z1 00 47
875 AS Z1 00 60
875 AS Z1 00 00
875 AS Z1 20 32



801 00 00 00 526

