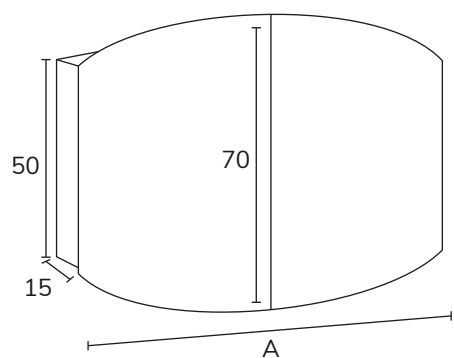


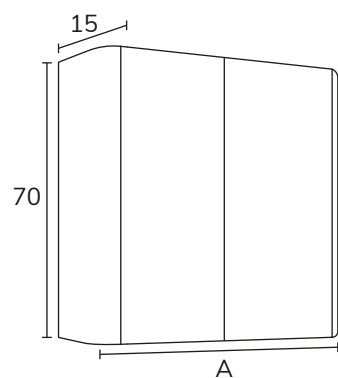
**JOLI** CAMERINO

*Bonalife*



A = 80 / 100 / 120

**URBAN** CAMERINO



A = 60 / 80 / 100 / 120

