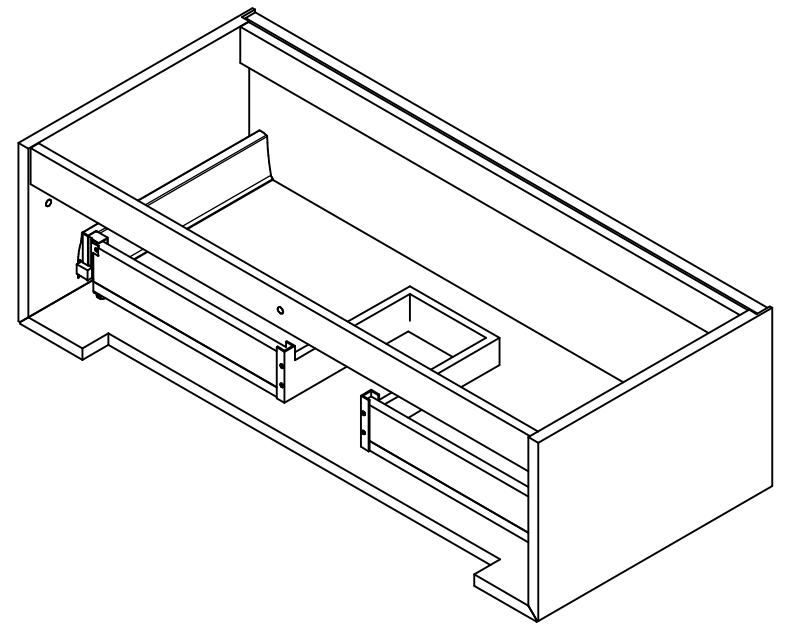
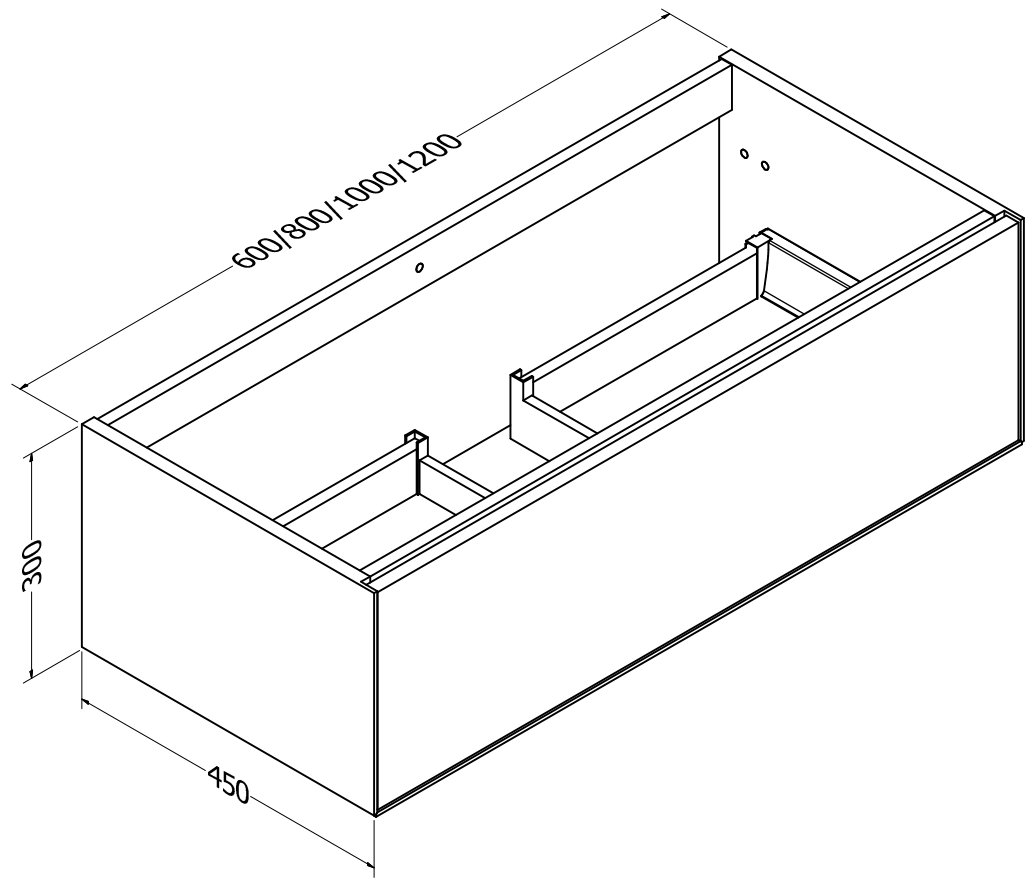


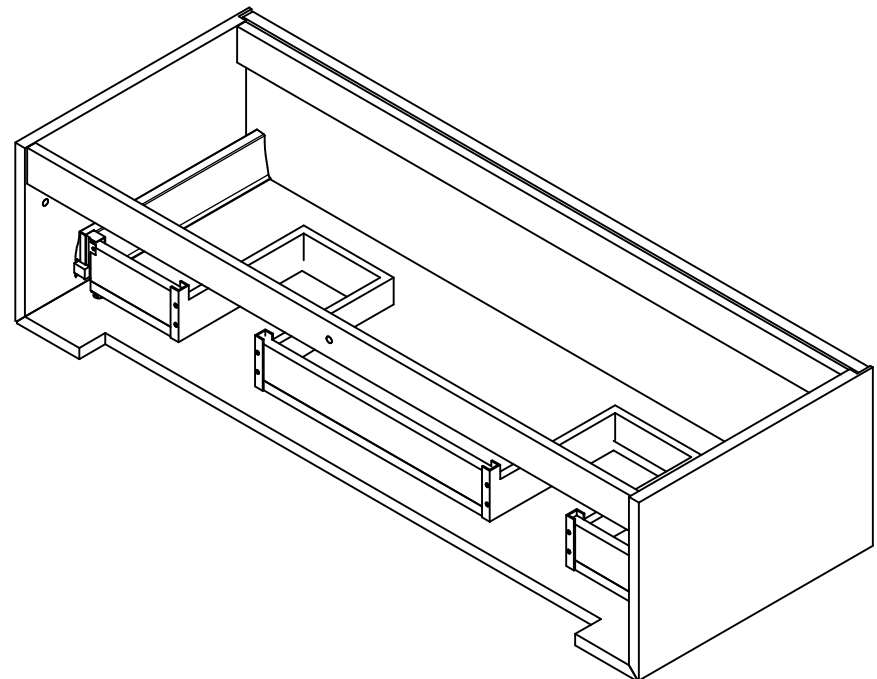
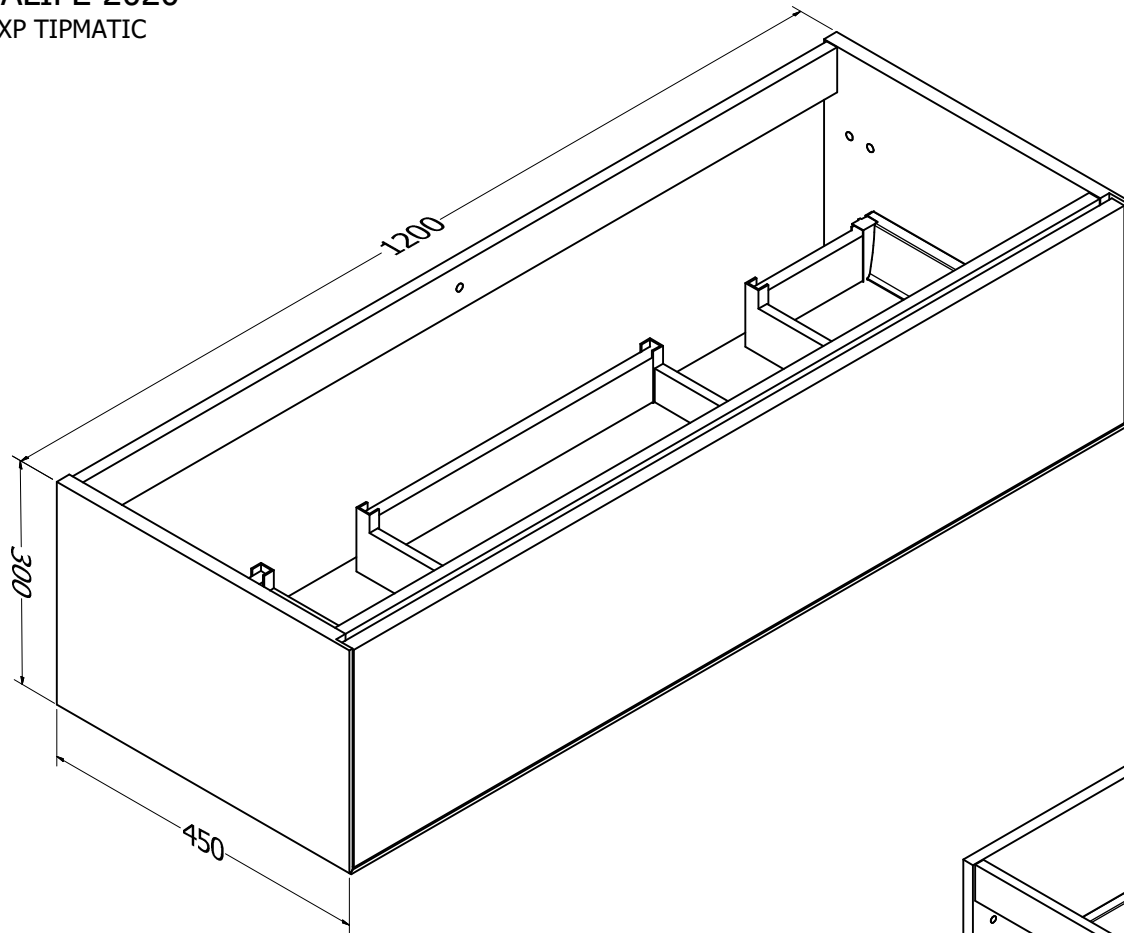
LEA 01 - 60/80/100/120 (LE016/LE018/LE0110/LE01121)



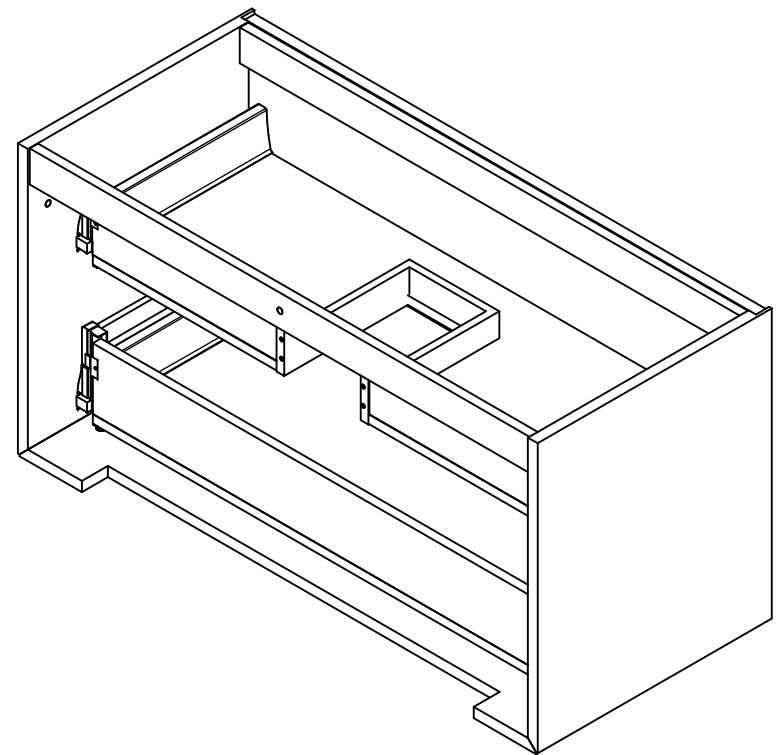
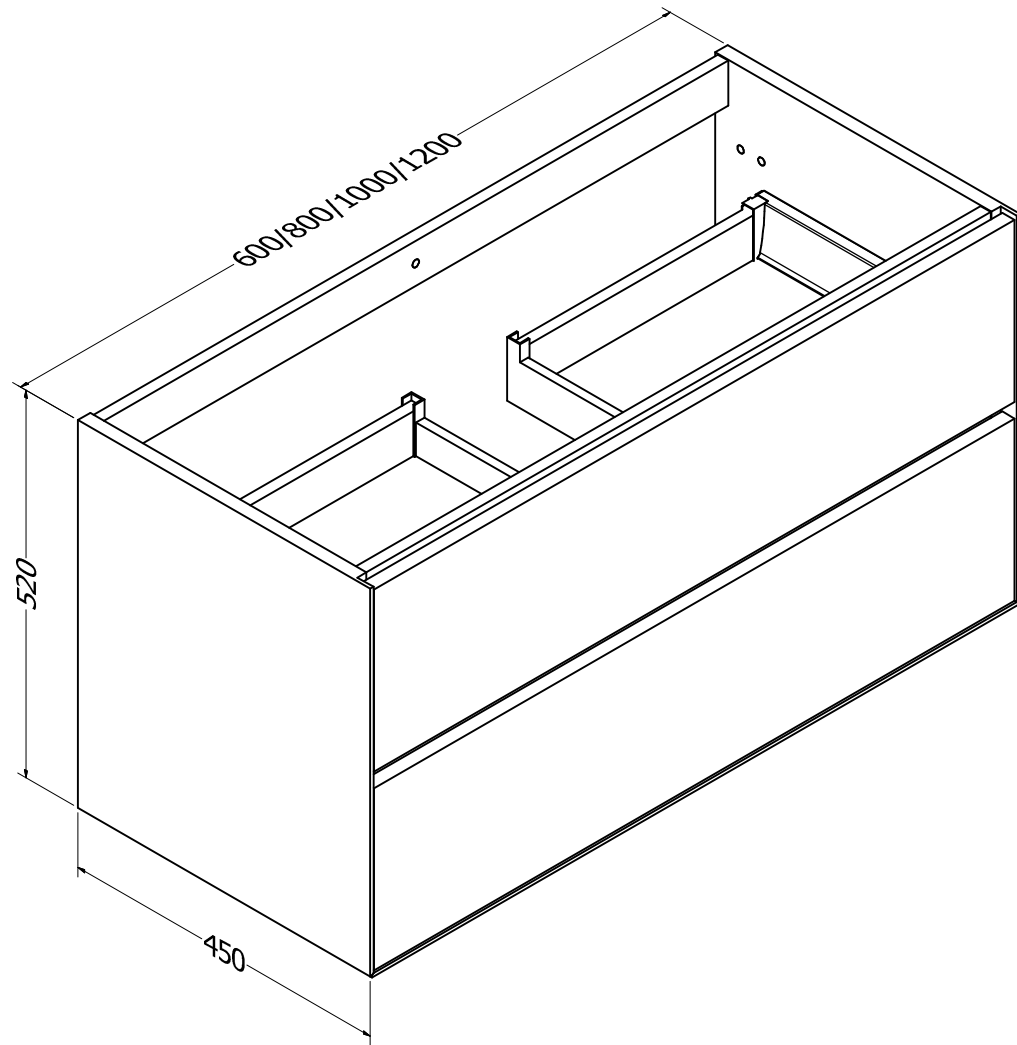
LEA 01 - 120 (2S) (LE01122)

BONALIFE 2020

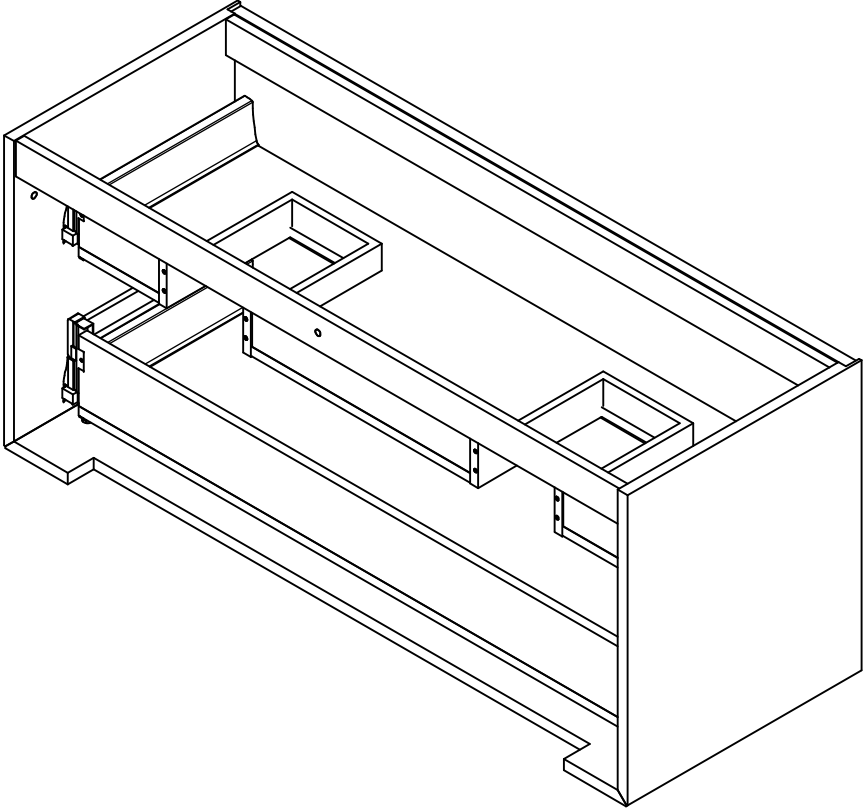
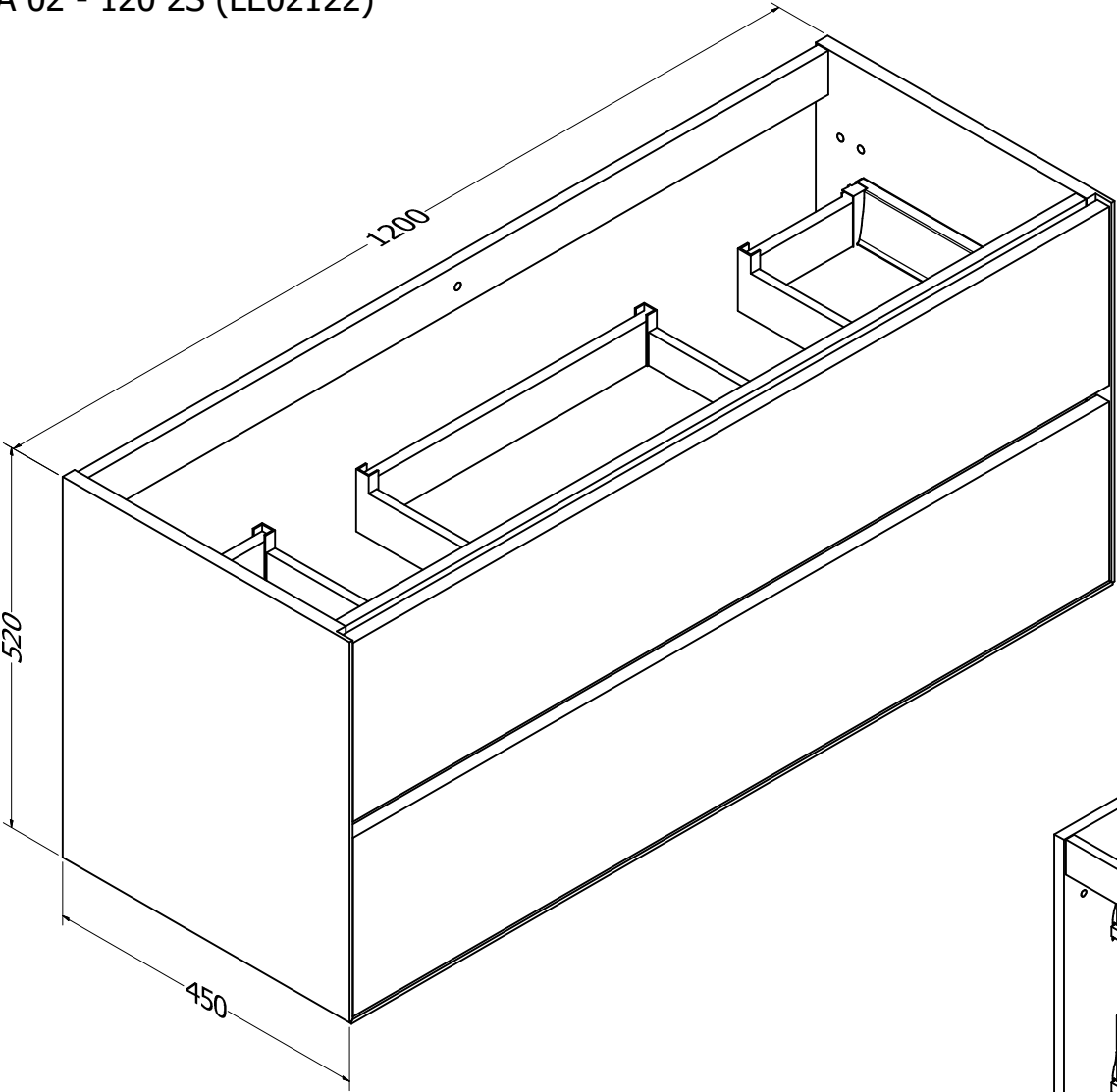
GUÍA XP TIPMATIC



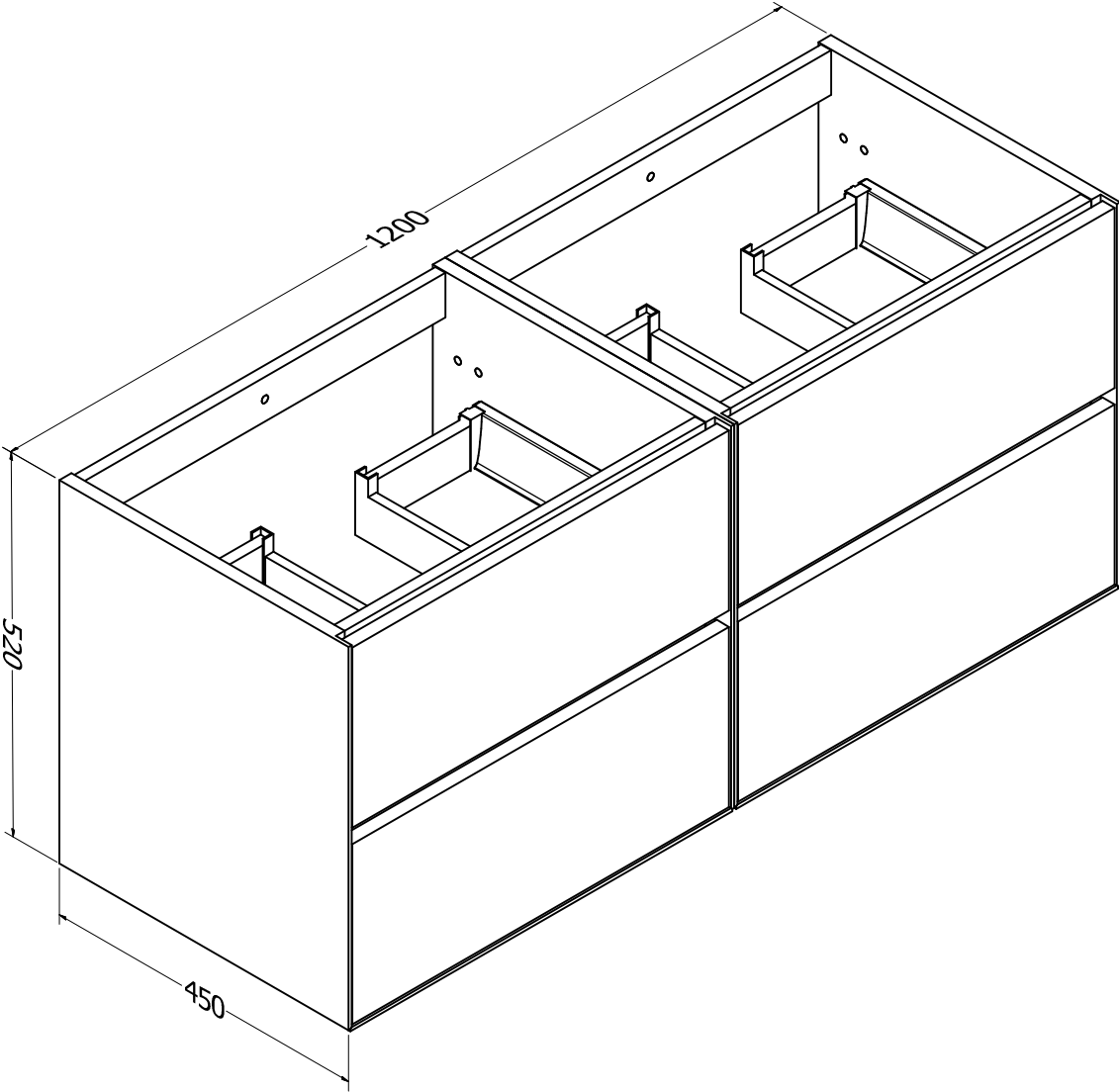
LEA 02 - 60/80/100/120 (LE026/LE028/LE0210/LE02121)



LEA 02 - 120 2S (LE02122)



LEA 02 120 2S_4C (LE02122C4)



LEA AUX. 05_PUERTA (LE0540)

